

SPECIAL BATTERIES

TECHNICAL SPECIFICATIONS: MONBAT – MBL 6ST 140AH PK

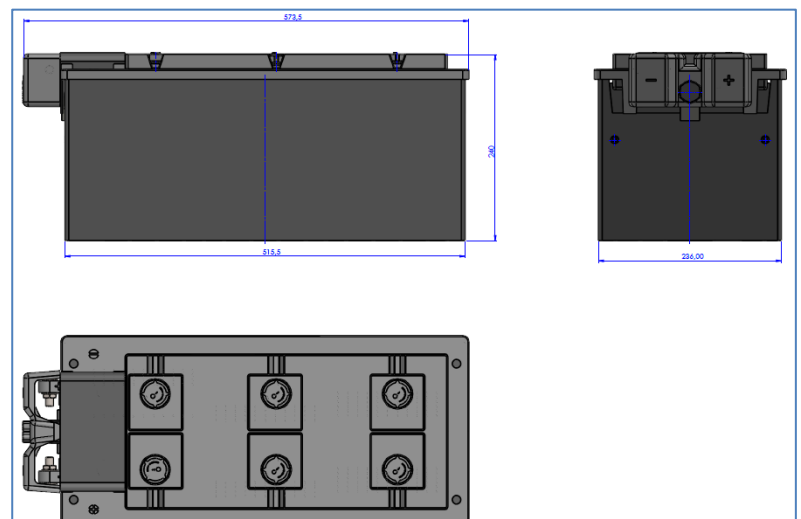
Electrical specifications:	
Nominal Voltage	12V
Capacity	140Ah
Temperature	Discharge current 420 A
Plus 25°C	330 secs till Uend – 9V
Minus 30°C	90 secs till Uend - 6V
Temperature	from - 30°C to + 70°C
Reserve Capacity:	
25A until 10.5V	20°C
Duration	267 min
Battery weight dry charged:	30.00 kg
Electrolyte weight:	14.50 kg
Battery weight with electrolyte:	44.50 kg
Box and Lid	
PP Material	



PHYSICAL CHARACTERISTICS:

	SI Units	US Units
Length Max	573 mm	22.56 inches
Length Box	516 mm	20.31 inches
Weight Max	238 mm	9.37 inches
Weight Box	236 mm	9.29 inches
Height with terminals	240 mm	9.45 inches
Height Box	240 mm	9.45 inches

DRAWINGS:



MANUFACTURE STANDARDS:

ISO 9001, ISO 14001, ISO 45001, AQAP 2110, IATF 16949